

## Cooling Air Ducting Hose



**Single-Ply Rubber Air Duct** This high-quality ducting is extremely flexible. A bronze-coated spring-steel wire support coil prevents collapsing. The fiberglass fabric cover is impregnated and coated with rubber. Choose red-orange Silicone (550° F max, perfect for brake cooling ducts) or black Neoprene (300° F max, great for cockpit cooling). The maximum continuous length is 12 feet.\* Shorter pieces can be screwed together to form a continuous length.

**Single-Ply High-Temp Silicone Duct Hose, red-orange only\*\***

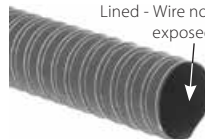
- Single-Ply Silicone, 2.0" ID, 6 foot length ..... Part No. 3621-2.00-6 ft. .... \$61.99
- Single-Ply Silicone, 2.0" ID, 12 foot length ..... Part No. 3621-2.00-12 ft. .... \$115.99
- Single-Ply Silicone, 2.5" ID, 6 foot length ..... Part No. 3621-2.50-6 ft. .... \$66.99
- Single-Ply Silicone, 2.5" ID, 12 foot length ..... Part No. 3621-2.50-12 ft. .... \$124.99
- Single-Ply Silicone, 3.0" ID, 6 foot length ..... Part No. 3621-3.00-6 ft. .... \$71.99
- Single-Ply Silicone, 3.0" ID, 12 foot length ..... Part No. 3621-3.00-12 ft. .... \$134.99
- Single-Ply Silicone, 4.0" ID, 6 foot length ..... Part No. 3621-4.00-6 ft. .... \$82.99
- Single-Ply Silicone, 4.0" ID, 12 foot length ..... Part No. 3621-4.00-12 ft. .... \$157.99
- Single-Ply Silicone, 5.0" ID, 6 foot length ..... Part No. 3621-5.00-6 ft. .... \$95.99
- Single-Ply Silicone, 5.0" ID, 12 foot length ..... Part No. 3621-5.00-12 ft. .... \$179.99

**Single-Ply Low-Temp Neoprene Duct Hose, black only**

- Single-Ply Neoprene, 2.0" ID, 6 foot length ..... Part No. 3620-2.00-6 ft. .... \$55.49
- Single-Ply Neoprene, 2.0" ID, 12 foot length ..... Part No. 3620-2.00-12 ft. .... \$103.99
- Single-Ply Neoprene, 2.5" ID, 6 foot length ..... Part No. 3620-2.50-6 ft. .... \$59.99
- Single-Ply Neoprene, 2.5" ID, 12 foot length ..... Part No. 3620-2.50-12 ft. .... \$112.99
- Single-Ply Neoprene, 3.0" ID, 6 foot length ..... Part No. 3620-3.00-6 ft. .... \$64.99
- Single-Ply Neoprene, 3.0" ID, 12 foot length ..... Part No. 3620-3.00-12 ft. .... \$121.99
- Single-Ply Neoprene, 4.0" ID, 6 foot length ..... Part No. 3620-4.00-6 ft. .... \$74.99
- Single-Ply Neoprene, 4.0" ID, 12 foot length ..... Part No. 3620-4.00-12 ft. .... \$139.99
- Single-Ply Neoprene, 5.0" ID, 6 foot length ..... Part No. 3620-5.00-6 ft. .... \$81.99
- Single-Ply Neoprene, 5.0" ID, 12 foot length ..... Part No. 3620-5.00-12 ft. .... \$152.99

\*Note: The lengths shown are nominal lengths. The duct will only measure this length when stretched tightly. The relaxed length will be several inches less than the nominal length.

**\*\* Please visit our website for Single-Ply Silicone Duct Hose in more half-inch diameters (1.5" ID, 3.5" ID, etc.)**



**Two-Ply Air Duct** This ducting is suitable for somewhat higher pressures and vacuum than the single-ply ducting. Construction is similar to the single-ply version except a second layer of rubber-impregnated and coated fiberglass fabric lines the inside. The lining covers the support coil for a smoother interior, which makes it popular for intake ducting in normally-aspirated applications. The maximum continuous length is 12 feet.\* Shorter pieces can be screwed together to form a continuous length.

**2-Ply High-Temp Silicone Duct Hose, red-orange only**

- 2-Ply Silicone, 2.0" ID, 6 foot length ..... Part No. 3631-2.00-6 ft. .... \$74.99
- 2-Ply Silicone, 2.0" ID, 12 foot length ..... Part No. 3631-2.00-12 ft. .... \$139.99
- 2-Ply Silicone, 2.5" ID, 6 foot length ..... Part No. 3631-2.50-6 ft. .... \$87.99
- 2-Ply Silicone, 2.5" ID, 12 foot length ..... Part No. 3631-2.50-12 ft. .... \$164.99
- 2-Ply Silicone, 3.0" ID, 6 foot length ..... Part No. 3631-3.00-6 ft. .... \$99.99
- 2-Ply Silicone, 3.0" ID, 12 foot length ..... Part No. 3631-3.00-12 ft. .... \$187.99
- 2-Ply Silicone, 4.0" ID, 6 foot length ..... Part No. 3631-4.00-6 ft. .... \$119.99
- 2-Ply Silicone, 4.0" ID, 12 foot length ..... Part No. 3631-4.00-12 ft. .... \$224.99
- 2-Ply Silicone, 5.0" ID, 6 foot length ..... Part No. 3631-5.00-6 ft. .... \$131.99
- 2-Ply Silicone, 5.0" ID, 12 foot length ..... Part No. 3631-5.00-12 ft. .... \$249.99

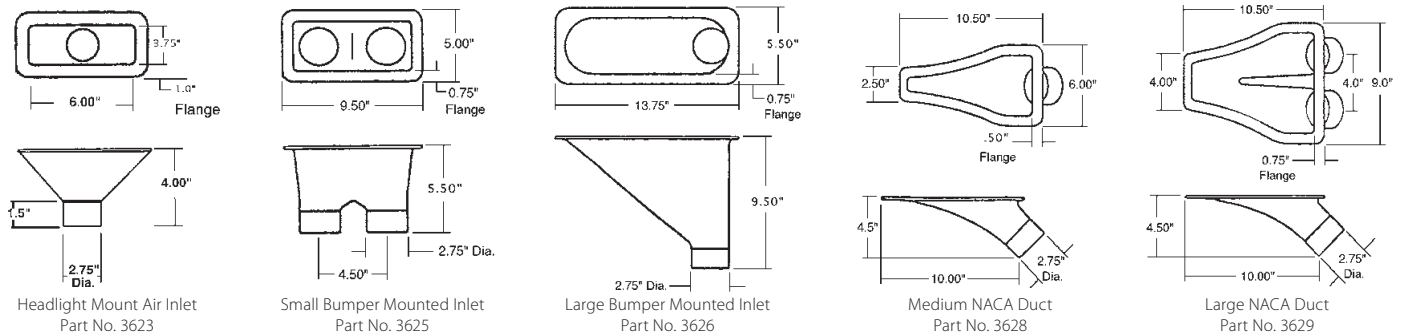
**2-Ply Low-Temp Neoprene Duct Hose, black only**

- 2-Ply Neoprene, 2.0" ID, 6 foot length ..... Part No. 3630-2.00-6 ft. .... \$64.99
- 2-Ply Neoprene, 2.0" ID, 12 foot length ..... Part No. 3630-2.00-12 ft. .... \$121.99
- 2-Ply Neoprene, 2.5" ID, 6 foot length ..... Part No. 3630-2.50-6 ft. .... \$69.99
- 2-Ply Neoprene, 2.5" ID, 12 foot length ..... Part No. 3630-2.50-12 ft. .... \$130.99
- 2-Ply Neoprene, 3.0" ID, 6 foot length ..... Part No. 3630-3.00-6 ft. .... \$74.99
- 2-Ply Neoprene, 3.0" ID, 12 foot length ..... Part No. 3630-3.00-12 ft. .... \$139.99
- 2-Ply Neoprene, 4.0" ID, 6 foot length ..... Part No. 3630-4.00-6 ft. .... \$86.99
- 2-Ply Neoprene, 4.0" ID, 12 foot length ..... Part No. 3630-4.00-12 ft. .... \$162.99
- 2-Ply Neoprene, 5.0" ID, 6 foot length ..... Part No. 3630-5.00-6 ft. .... \$93.99
- 2-Ply Neoprene, 5.0" ID, 12 foot length ..... Part No. 3630-5.00-12 ft. .... \$177.99

## Thermo-Formed Air Inlet Ducts

The US Government, through the National Advisory Council on Aeronautics (NACA, forerunner to NASA) spent a lot of tax dollars discovering the low-drag inlet duct shape that we now know as a NACA duct. Our tough, high-impact plastic ducts were developed and tuned in a wind tunnel for

maximum air flow with minimal drag on racecars. A molded flange makes them easy to install in body panels, air dams, or even side windows. The outlets fit our 3.00 inch air ducting hose, except for the Small NACA Ducts (Part No. 3627-Color), which fit our 2.50 inch duct hose.



### Forward-Facing Ram Air Inlet Ducts

These ram air ducts are designed to face forward, with the opening and outlet perpendicular to the direction of travel. Gradually tapering openings help to minimize turbulence and air disruption. They are perfect for mounting in a bumper cover, air dam, or headlight opening. All are made of sandable, paintable ABS black plastic.

- Headlight Mount Air Inlet, single outlet for 3" hose ..... Part No. 3623-Black ... \$15.99  
Approximately 6 x 3.75 inches (rectangular) with a centered outlet.
- Small Bumper Mounted Inlet, single outlet for 3" hose ..... Part No. 3624-Black ... \$25.99  
(Not shown) Approximately 9.5 x 5 inches with an offset outlet.
- Small Bumper Mounted Inlet, dual outlets for 3" hose ..... Part No. 3625-Black ... \$31.99  
Approximately 9.5 x 5 inches.
- Large Bumper Mounted Inlet, single outlet for 3" hose ..... Part No. 3626-Black ... \$32.49  
Approximately 13.75 x 5.5 inches with an offset outlet.

### Low-Drag NACA Air Inlet Ducts

These flush ducts are designed to be installed nearly parallel to the direction of travel. For best airflow, mount them in a high-pressure area such as on the leading edge of a fender. Choose sandable, paintable ABS black plastic or transparent plastic.

- Small NACA Duct, Black, single outlet for 2.5" hose ..... Part No. 3627-Black ... \$23.99
- Small NACA Duct, Clear, single outlet for 2.5" hose ..... Part No. 3627-Clear ... \$26.99  
(Not shown) Approximately 7 x 3.7 inches.
- Medium NACA Duct, Black, single outlet for 3" hose ..... Part No. 3628-Black ... \$21.99
- Medium NACA Duct, Clear, single outlet for 3" hose ..... Part No. 3628-Clear ... \$27.99  
Approximately 10.5 x 6 inches.
- Large NACA Duct, Black, dual outlets for 3" hose ..... Part No. 3629-Black ... \$25.49
- Large NACA Duct, Clear, dual outlets for 3" hose ..... Part No. 3629-Clear ... \$30.99  
Approximately 10.5 x 9 inches.

Note: These ducts are manufactured for racing vehicles. They are not produced with a show-quality finish. Expect to do a fair amount of sanding before installing them on a trailer queen!

**Monitor your brake temperatures easily with our temperature indicating paints on the next page!**